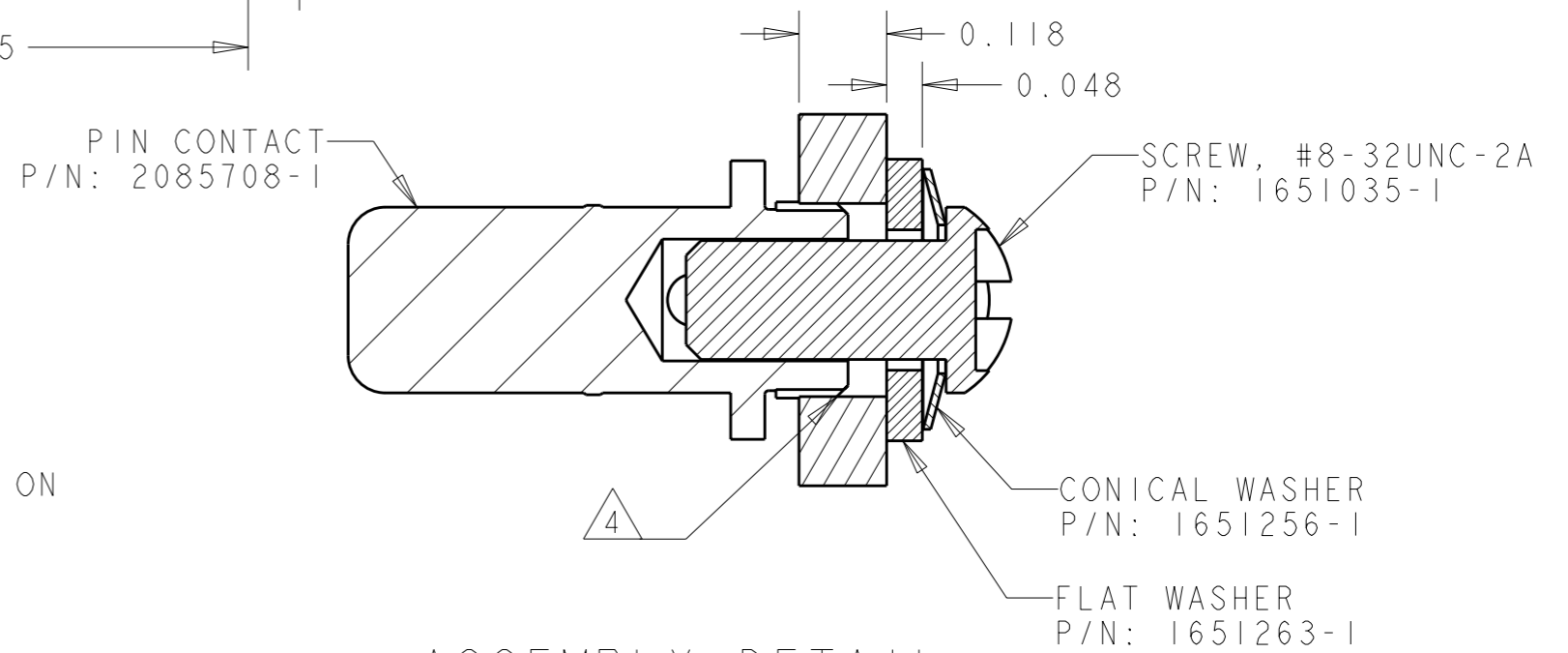
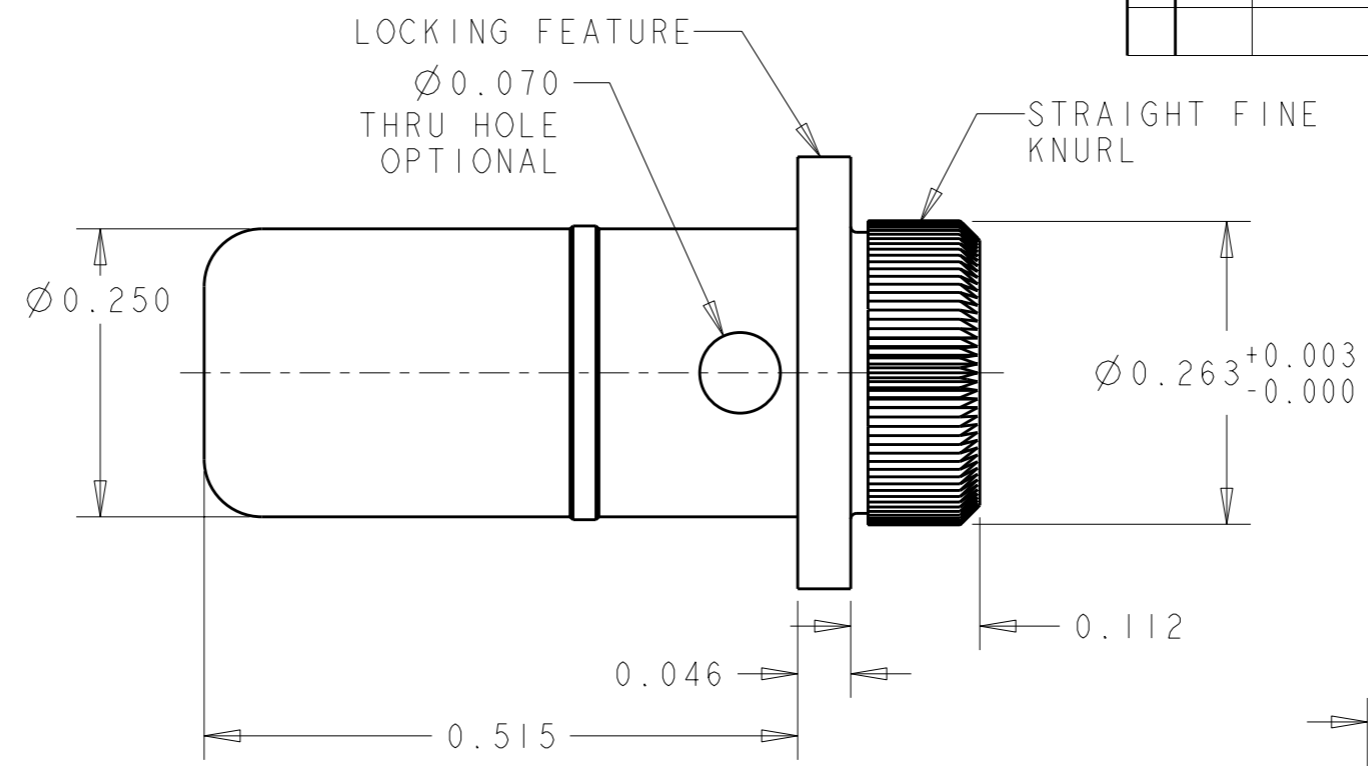
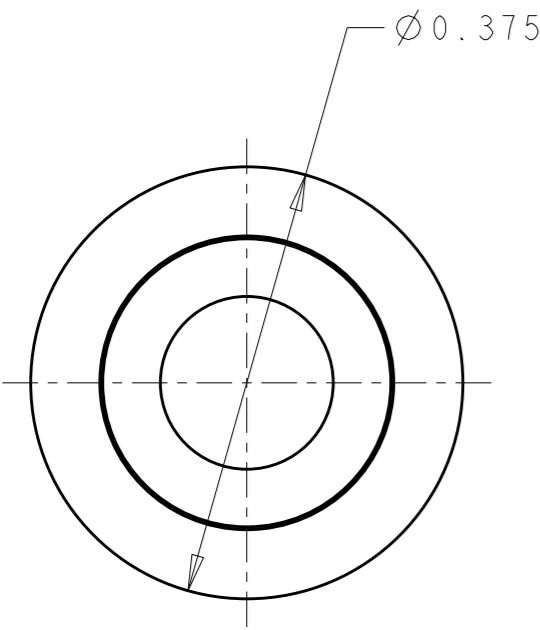


THIS DRAWING IS UNPUBLISHED. RELEASED FOR PUBLICATION 20
 © COPYRIGHT 20 BY TYCO ELECTRONICS CORPORATION. ALL RIGHTS RESERVED.

| LOC | DIST | REVISIONS | | | |
|-----|------|-------------|----------|-----------|-------|
| P | LTR | DESCRIPTION | DATE | DWN | APVD |
| GP | 00 | A | RELEASED | 09AUG2011 | RG DO |



1. ITEMS PROVIDED TO THIS SPECIFICATION SHALL BE IDENTIFIED ON THE CONTAINER WITH THE FOLLOWING INFORMATION: PART NUMBER & DATE CODE OF MANUFACTURE.

2 MATERIAL: PIN CONTACT: COPPER ALLOY
 CONICAL WASHER: SPRING STEEL
 SCREW & FLAT WASH.: STEEL

3 FINISH: PIN CONTACT: SILVER PLATE .00020 MIN THICK OVER NICKEL .000050 MIN THICK.
 SCREW: NICKEL PLATE
 CONICAL & FLAT WASH.: NICKEL PLATE

4 RECOMMENDED HOLE DIAMETER AFTER PLATING:
 Ø.260+.003/.001.

ASSEMBLY DETAIL

2085709-1
 PART NUMBER

| | | | |
|---|---|---|--|
| <small>THIS DRAWING IS A CONTROLLED DOCUMENT FOR TYCO ELECTRONICS CORPORATION IT IS SUBJECT TO CHANGE AND THE CONTROLLING ENGINEERING ORGANIZATION SHOULD BE CONTACTED FOR THE LATEST REVISION.</small> | | DWN R.GRZYBOWSKI 26MAY2011 CHK D.ORRIS 26MAY2011 APVD D.ORRIS 26MAY2011 | Tyco Electronics Tyco Electronics Harrisburg, PA 17105-3608 |
| DIMENSIONS: INCHES | TOLERANCES UNLESS OTHERWISE SPECIFIED: 0 PLC ±. 1 PLC ±. 2 PLC ±.02 3 PLC ±.010 4 PLC ±. ANGLES ±.5 | NAME PIN CONTACT, SIZE #4, SCREW MOUNT, LOCKING STYLE, PRESS FIT | NOT the LATEST REVISION |
| MATERIAL | FINISH | PRODUCT SPEC APPLICATION SPEC WEIGHT | |
| CUSTOMER DRAWING | | SIZE A300779C-2085709 SCALE SHEET OF REV A | RESTRICTED TO |